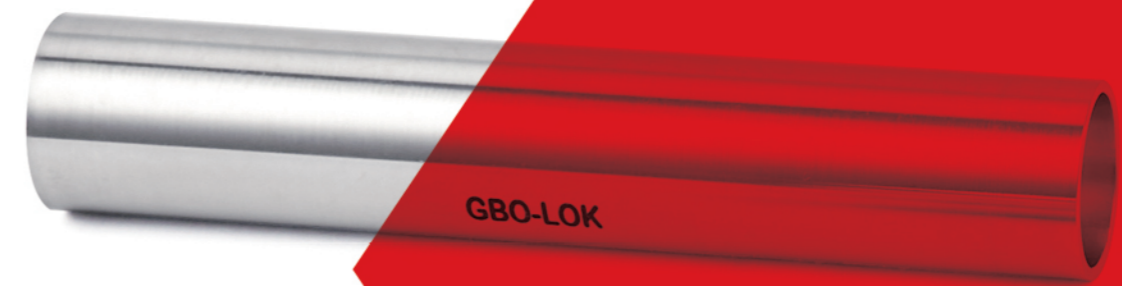
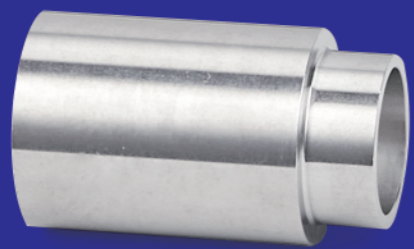


卫生级管件

GBO.LOK®

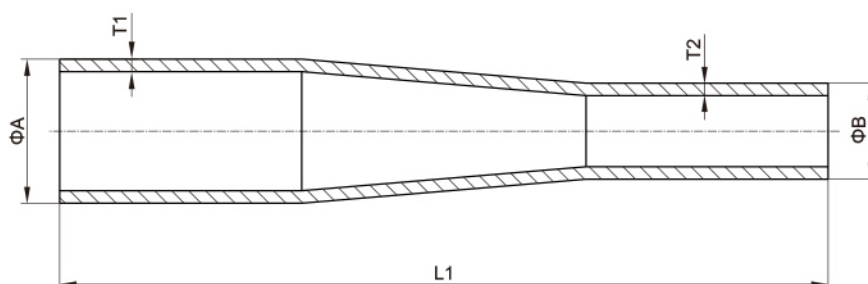


卫生级管件

特点:

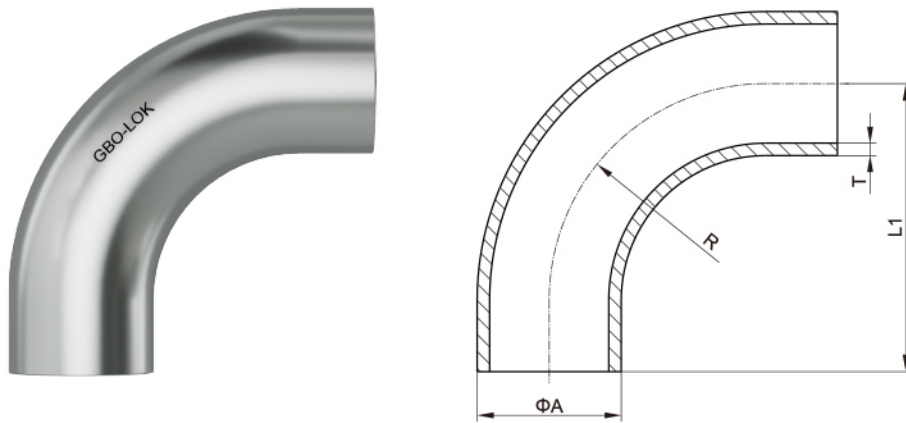
1. 316L不锈钢材质;
2. 多种结构类型可选择;
3. 多种尺寸满足客户需求;
4. 均属于无缝钢管。

加长型同心大小头



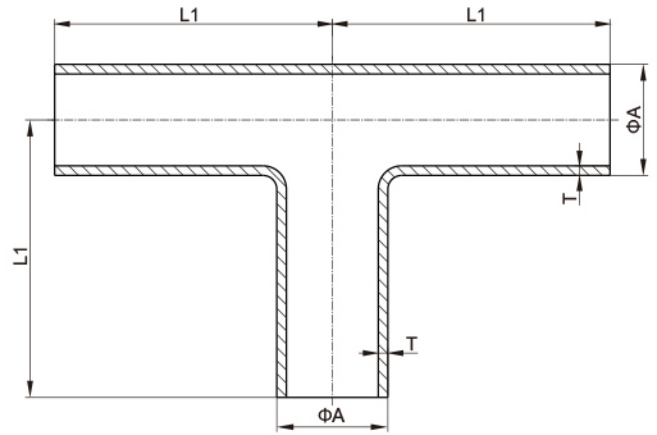
产品型号	尺寸(mm)			
	AxB	L1	T1	T2
1/2"x1/4"	12.7x6.35	101.6	1.65	1.65
1/2"x3/8"	12.7x9.53	101.6	1.65	1.65
3/4"x3/8"	19.1x9.53	101.6	1.65	1.65
3/4"x1/2"	19.1x12.7	101.6	1.65	1.65
1"x3/8"	25.4x9.53	114.3	1.65	1.65
1"x1/2"	25.4x12.7	114.3	1.65	1.65
1"x3/4"	25.4x19.1	101.6	1.65	1.65
1.5"x1/2"	38.1x12.7	139.7	1.65	1.65
1.5"x3/4"	38.1x19.1	127	1.65	1.65
1.5"x1"	38.1x25.4	127	1.65	1.65
2"x1/2"	50.8x12.7	196.9	1.65	1.65
2"x3/4"	50.8x19.1	184.2	1.65	1.65
2"x1"	50.8x25.4	184.2	1.65	1.65
2"x1.5"	50.8x38.1	133.4	1.65	1.65
2.5"x1/2"	63.5x12.7	247.7	1.65	1.65
2.5"x3/4"	63.5x19.1	235	1.65	1.65
2.5"x1"	63.5x25.4	235	1.65	1.65
2.5"x1.5"	63.5x38.1	184.2	1.65	1.65
2.5"x2"	63.5x50.8	139.7	1.65	1.65
3"x1/2"	76.2x12.7	298.5	1.65	1.65
3"x1"	76.2x25.4	285.8	1.65	1.65
3"x1.5"	76.2x38.1	235	1.65	1.65
3"x2"	76.2x50.8	190.5	1.65	1.65
3"x2.5"	76.2x63.5	139.7	1.65	1.65
4"x1"	101.6x25.4	393.7	2.1	2.1
4"x1.5"	101.6x38.1	342.9	2.1	2.1
4"x2"	101.6x50.8	298.5	2.1	2.1
4"x2.5"	101.6x63.5	247.7	2.1	2.1
4"x3"	101.6x76.2	196.9	2.1	2.1
6"x4"	152.4x101.6	254	2.77	2.77

90°加长型焊接式弯头



产品型号	尺寸 (mm)			
	A	R	L1	T
1/2"	12.7	19.1	25.4	1.65
3/4"	19.1	28.6	38.1	1.65
1"	25.4	38.1	52.4	1.65
1-1/4"	31.8	47.7	69.7	1.65
1-1/2"	38.1	57.2	74.6	1.65
2"	50.8	76.2	103.2	1.65
2-1/2"	63.5	95.3	131.8	1.65
3"	76.2	114.3	160.3	1.65
4"	101.6	152.4	211.1	2.1
6"	152.4	228.6	292.1	2.8
8"	203.2	228.6	304.8	2.8

加长型焊接式三通



产品型号	尺寸 (mm)		
	A	L1	T
1/2"	12.7	47.6	1.65
3/4"	19.1	47.6	1.65
1"	25.4	47.6	1.65
1-1/4"	31.8	55	1.65
1-1/2"	38.1	57.2	1.65
2"	50.8	76.2	1.65
2-1/2"	63.5	76.2	1.65
3"	76.2	82.6	1.65
4"	101.6	98.4	2.1
6"	152.4	143	2.8
8"	203.2	178	2.8
10"	254	216	2.8